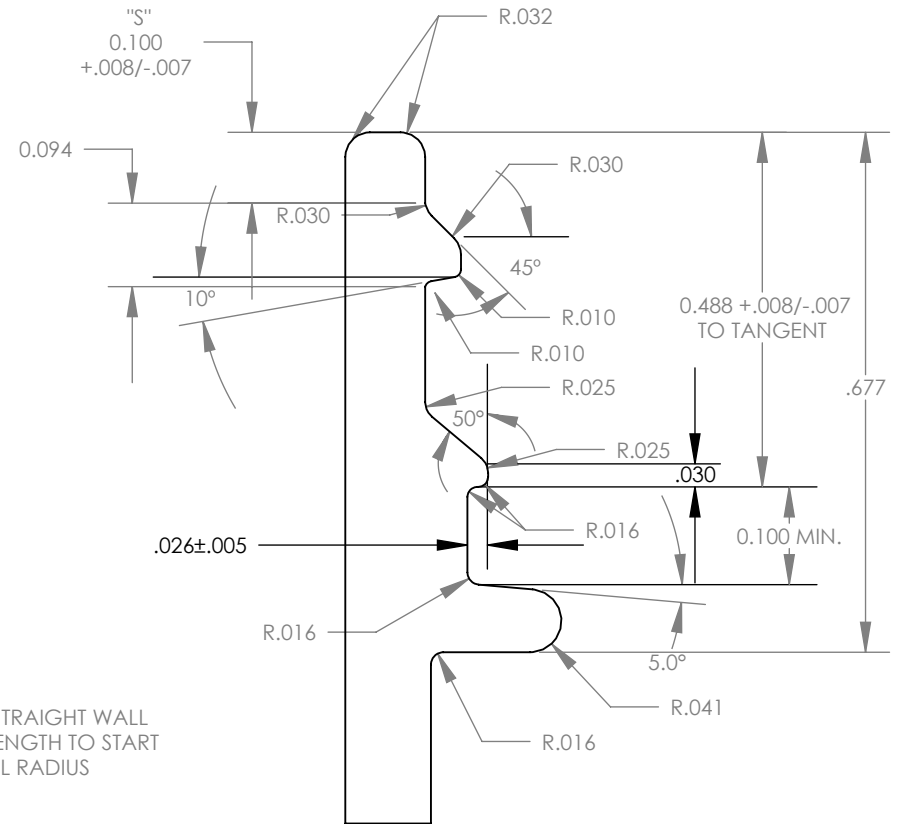
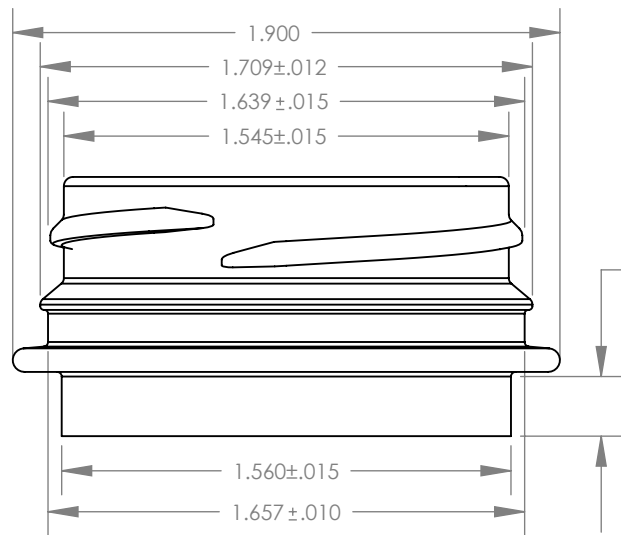
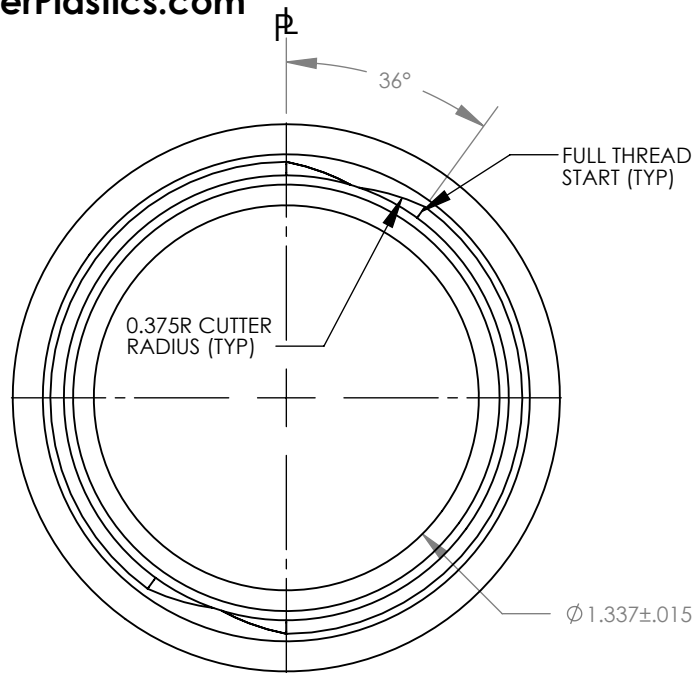


REVISIONS				
ZONE	REV.	DESCRIPTION	DATE	APPROVED
	A	CHANGED NAME IN TITLE BLOCK FROM ALCOA TO HOFFER	9/9/98	SJL
	A1	REDRAWN IN CAD	5/4/2008	WEI



0.150 MIN. STRAIGHT WALL SHOULDER LENGTH TO START OF BELL RADIUS

NOTES:
 THIS IS A DOUBLE LEAD THREAD.
 .286 LEAD - (TRAVEL IN ONE TURN)
 .143 PITCH - (THREAD TO THREAD)
 144 DEGREES PER THREAD
 3.5 DEGREES CUTTER TILT / .750 DIA.

PROPRIETARY AND CONFIDENTIAL
 THE INFORMATION CONTAINED IN THIS DRAWING IS THE SOLE PROPERTY OF HOFFER PLASTICS CORP. ANY REPRODUCTION IN PART OR AS A WHOLE WITHOUT THE WRITTEN PERMISSION OF HOFFER PLASTICS CORP. IS PROHIBITED.

UNLESS OTHERWISE SPECIFIED:

DIMENSIONS ARE IN INCHES/MM
 TOLERANCES:
 FRACTIONAL ±
 ANGULAR: ± 1°
 TWO PLACE DECIMAL ± .010
 THREE PLACE DECIMAL ± .005

INTERPRET GEOMETRIC TOLERANCING PER:

MATERIAL

FINISH

DO NOT SCALE DRAWING

	NAME	DATE
DRAWN	WEI	5/4/08
DESIGN APPROVED		
COMMENTS:		

Hoffer Plastics Corp.
 500 N. Collins St.
 So. Elgin, Il. 60177



TITLE:

43MM VHS PET FINISH

SIZE	DWG. NO.	REV
A	1799	A1

SCALE: 1:1 Shrink: SHEET 1 OF 1