

NOTES:

8 THREADS PER INCH

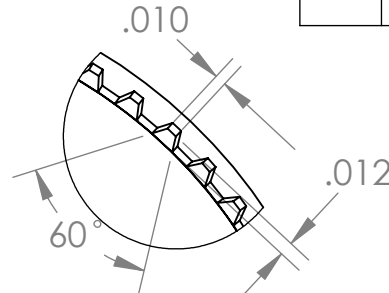
DEVIATIONS FROM REFERENCE DIMENSIONS WHICH WILL NOT AFFECT FUNCTION ARE ACCEPTABLE.

HEIGHT DIMENSIONS SUBJECT TO VARIATION DUE TO "CRUSHING" DURING PART EJECTION.

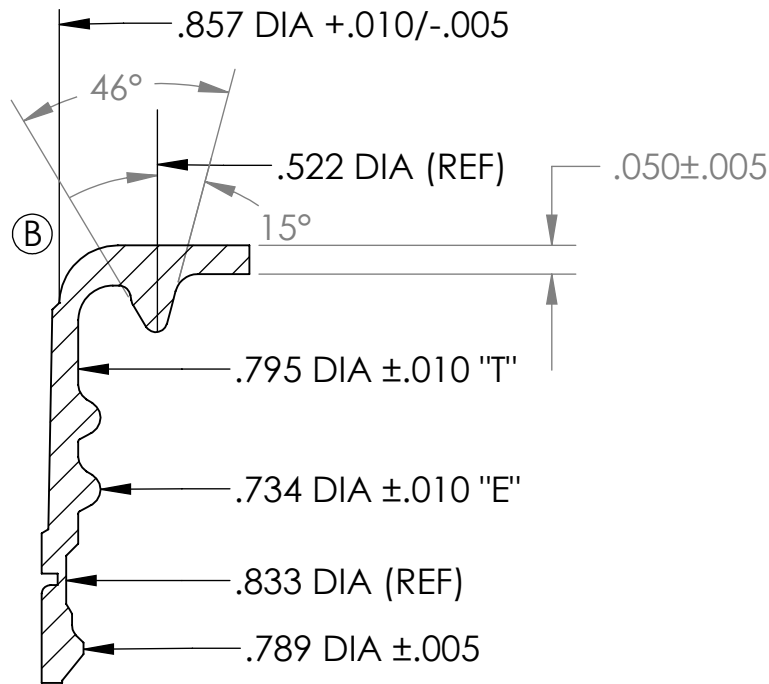
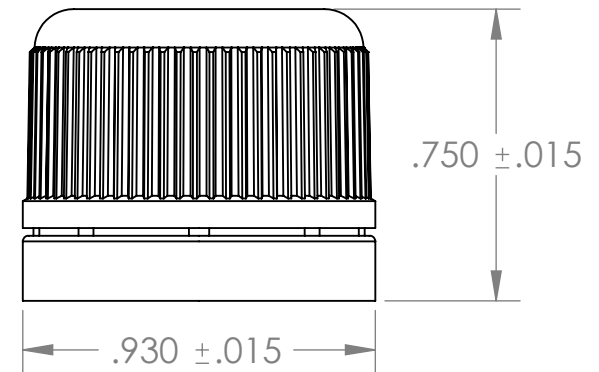
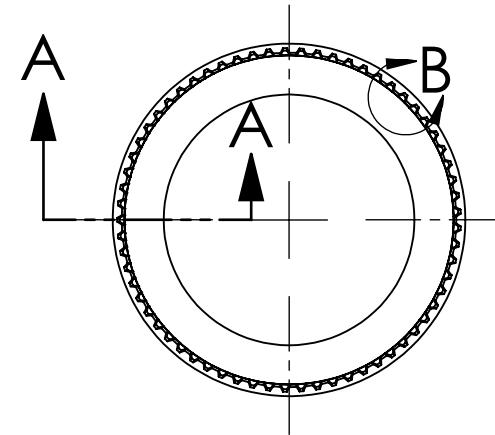
BOTTLE I.D. SHOULD BE  $0.576 \pm .005$  TO PROPERLY MATE WITH THE PLUG SEAL. FOR ALL OTHER BOTTLE FINISH DIMENSIONS, PLEASE REFER TO DRAWING NUMBER 1787.

**THE DROP-LOK® CLOSURE IS NOT A VENTED CLOSURE AND SHOULD NOT BE USED ON APPLICATIONS THAT PRODUCE INTERNAL PRESSURE IN THE BOTTLE DUE TO CARBONATION, FERMENTATION, ETC.** ©

REVISIONS				
ZONE	REV.	DESCRIPTION	DATE	APPROVED
	A	Drawing Released	8/22/2007	KJT
	B	Revised shape of plug seal.	5/1/2008	WEI
	C	Added non-vented closure note.	3/16/12	WEI



65 KNURLS  
DETAIL B  
SCALE 6 : 1



SECTION A-A  
SCALE 3 : 1

**PLASTIC FINISH: 1787**

**PROPRIETARY AND CONFIDENTIAL**  
THE INFORMATION CONTAINED IN THIS DRAWING IS THE SOLE PROPERTY OF HOFFER PLASTICS CORP. ANY REPRODUCTION IN PART OR AS A WHOLE WITHOUT THE WRITTEN PERMISSION OF HOFFER PLASTICS CORP. IS PROHIBITED.

UNLESS OTHERWISE SPECIFIED:

DIMENSIONS ARE IN INCHES  
TOLERANCES:  
FRACTIONAL ±  
ANGULAR: ± 1°  
TWO PLACE DECIMAL ± .010  
THREE PLACE DECIMAL ± .005

INTERPRET GEOMETRIC TOLERANCING PER:

MATERIAL  
POLYPROPYLENE

FINISH

DO NOT SCALE DRAWING

	NAME	DATE
DRAWN	WEI	4/27/09
DESIGN APPROVED		
COMMENTS:		

Hoffer Plastics Corp.  
500 N. Collins St.  
So. Elgin, IL 60177



TITLE:  
**20mm Linerless  
DROP-LOK® Closure**

SIZE	DWG. NO.	REV
<b>A</b>	<b>CA 20 NL</b>	<b>C</b>

SCALE: 2:1 Shrink: SHEET 1 OF 1