

NOTES:

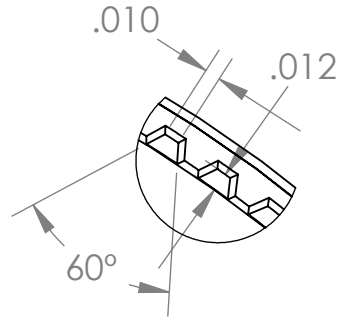
3.5 THREADS PER INCH (B)

DEVIATIONS FROM REFERENCE DIMENSIONS WHICH WILL NOT ACCEPT FUNCTION ARE ACCEPTABLE.

HEIGHT DIMENSIONS SUBJECT TO VARIATION DUE TO "CRUSHING" DURING PART EJECTION.

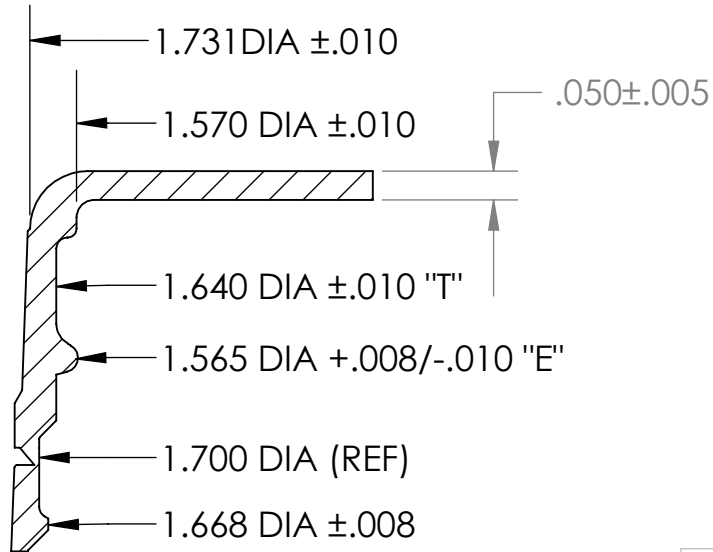
ADD .010" FOR TOP EMBOSS.

THE DROP-LOK® CLOSURE IS NOT A VENTED CLOSURE AND SHOULD NOT BE USED ON APPLICATIONS THAT PRODUCE INTERNAL PRESSURE IN THE BOTTLE DUE TO CARBONATION, FERMENTATION, ETC. (E)

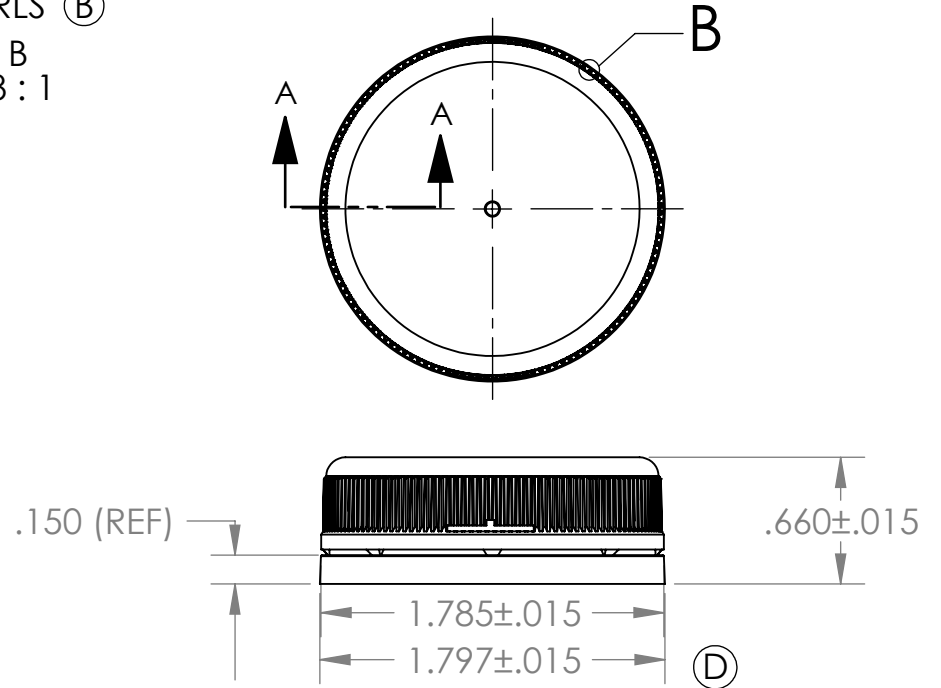


135 KNURLS (B)  
DETAIL B  
SCALE 8 : 1

REVISIONS				
ZONE	REV.	DESCRIPTION	DATE	APPROVED
	A	CHANGED NAME IN TITLE BLOCK TO HOFFER	8/28/98	SJL
	B	ADDED NOTES FOR THREADS PER INCH AND NUMBER OF KNURLS	11/23/98	SJL
	C	ADDED DROP-LOK® TO TITLE BLOCK	12/17/98	SJL
	D	ADDED TOLERANCE TO LINER AND INCREASED BAND WIDTH TO 1.797	1/6/99	SJL
	D1	REDRAWN IN CAD	3/19/08	WEI
	E	ADDED NON-VENTED CLOSURE NOTE.	3/16/12	WEI



SECTION A-A  
SCALE 3 : 1



PLASTIC FINISH: 1799 PET (VHS)

**PROPRIETARY AND CONFIDENTIAL**  
THE INFORMATION CONTAINED IN THIS DRAWING IS THE SOLE PROPERTY OF HOFFER PLASTICS CORP. ANY REPRODUCTION IN PART OR AS A WHOLE WITHOUT THE WRITTEN PERMISSION OF HOFFER PLASTICS CORP. IS PROHIBITED.

UNLESS OTHERWISE SPECIFIED:

DIMENSIONS ARE IN INCHES  
TOLERANCES:  
FRACTIONAL ±  
ANGULAR: ± 1°  
TWO PLACE DECIMAL ± .010  
THREE PLACE DECIMAL ± .005

INTERPRET GEOMETRIC TOLERANCING PER:

MATERIAL  
POLYPROPYLENE

FINISH

DO NOT SCALE DRAWING

	NAME	DATE
DRAWN	WEI	3/19/08
DESIGN APPROVED		
COMMENTS:		
LINER:		
SS-222	1.688 DIA .030 ±.005 THICK (D)	
EVA A-300	1.688 DIA .028 ±.003 THICK	

Hoffer Plastics Corp.  
500 N. Collins St.  
So. Elgin, IL 60177



TITLE:  
**(C) 43 mm DOUBLE-THREAD DROP-LOK® CLOSURE**

SIZE <b>A</b>	DWG. NO. <b>CA 43-29</b>	REV <b>E</b>
------------------	-----------------------------	-----------------

SCALE: 1:1 Shrink: SHEET 1 OF 1