

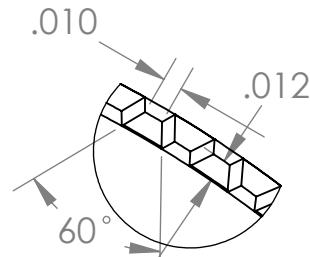
NOTES:

8 THREADS/INCH

DEVIATIONS FROM REFERENCE DIMENSIONS WHICH WILL NOT AFFECT FUNCTION ARE ACCEPTABLE.

HEIGHT DIMENSIONS SUBJECT TO VARIATION DUE TO "CRUSHING" DURING PART EJECTION.

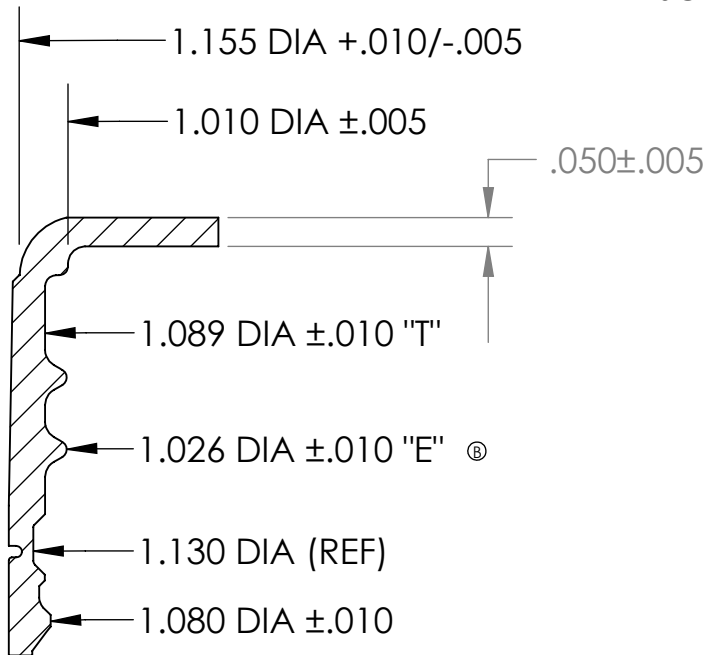
**THE DROP-LOK® CLOSURE IS NOT A VENTED CLOSURE AND SHOULD NOT BE USED ON APPLICATIONS THAT PRODUCE INTERNAL PRESSURE IN THE BOTTLE DUE TO CARBONATION, FERMENTATION, ETC.**



90 KNURLS

DETAIL B  
SCALE 10 : 1

Ⓓ



SECTION A-A  
SCALE 3 : 1

GLASS FINISH: 1768 Ⓒ

PLASTIC FINISH: 1763 & 1787

**PROPRIETARY AND CONFIDENTIAL**  
THE INFORMATION CONTAINED IN THIS DRAWING IS THE SOLE PROPERTY OF HOFFER PLASTICS CORP. ANY REPRODUCTION IN PART OR AS A WHOLE WITHOUT THE WRITTEN PERMISSION OF HOFFER PLASTICS CORP. IS PROHIBITED.

UNLESS OTHERWISE SPECIFIED:

DIMENSIONS ARE IN INCHES  
TOLERANCES:  
FRACTIONAL ±  
ANGULAR: ± 1°  
TWO PLACE DECIMAL ± .010  
THREE PLACE DECIMAL ± .005

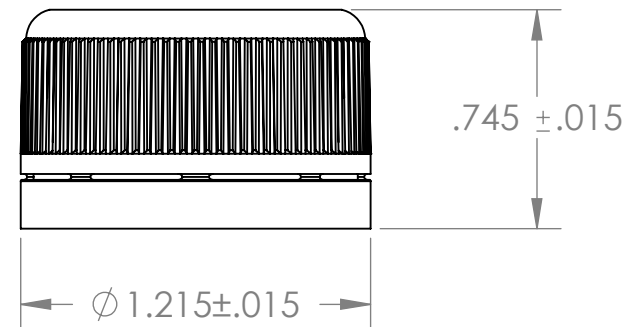
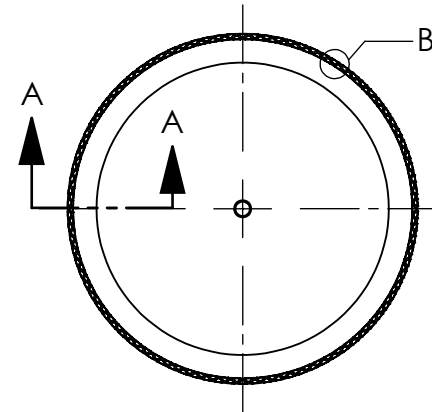
INTERPRET GEOMETRIC TOLERANCING PER:

MATERIAL  
POLYPROPYLENE

FINISH

DO NOT SCALE DRAWING

REVISIONS				
ZONE	REV.	DESCRIPTION	DATE	APPROVED
	A	CHANGE NAME IN TITLE BLOCK TO HOFFER	10/8/98	SJL
	B	DIMENSION WAS 1.029 DIA	12/16/98	SJL
	B1	REDRAWN IN CAD	3/4/08	WEI
	C	REMOVED 1769 GLASS BOTTLE FINISH	5/19/08	WEI
	D	ADDED NON-VENTED CLOSURE NOTE	3/16/12	WEI



Hoffer Plastics Corp.  
500 N. Collins St.  
So. Elgin, Il. 60177



TITLE:

**28 mm DROP-LOK®**

SIZE <b>A</b>	DWG. NO. <b>CA 28-14</b>	REV <b>D</b>
------------------	-----------------------------	-----------------

SCALE: 3:2 Shrink: SHEET 1 OF 1