

NOTES:

THREAD INFORMATION

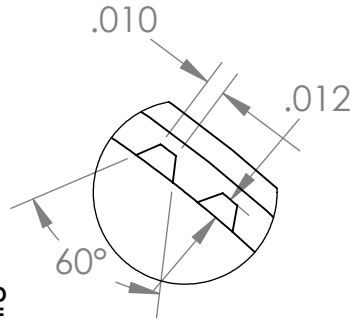
- 8 THREADS PER INCH
- HELIX ANGLE 1°51'
- FULL DEPTH THREAD GENERATION 580°-590°

THE DROP-LOK® CLOSURE IS NOT A VENTED CLOSURE AND SHOULD NOT BE USED ON APPLICATIONS THAT PRODUCE INTERNAL PRESSURE IN THE BOTTLE DUE TO CARBONATION, FERMENTATION, ETC.

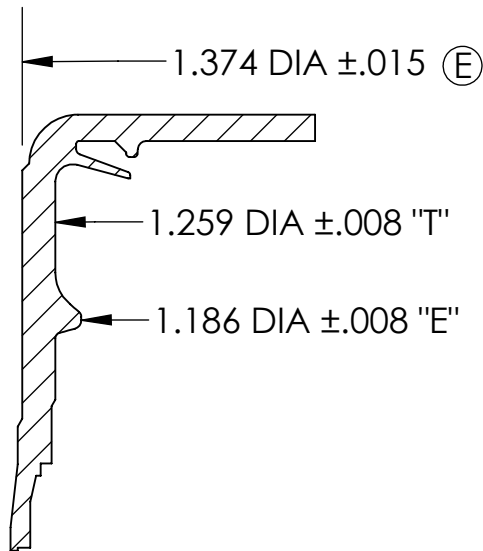


105 KNURLS

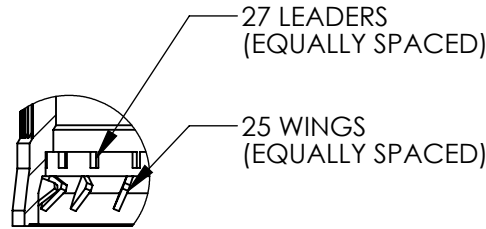
DETAIL B
SCALE 10 : 1



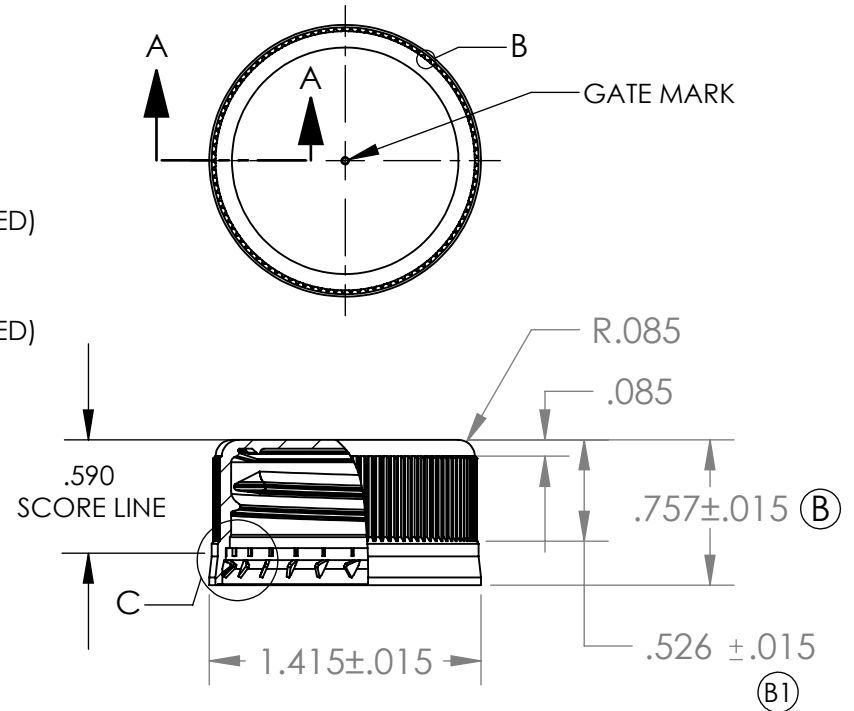
REVISIONS				
ZONE	REV.	DESCRIPTION	DATE	APPROVED
	A	RELEASED FOR MFG.	8/95	DB
	B	.757 WAS .766	2/96	DB
	B1	.526 WAS .538	2/96	DB
	C	ADDED STAR PATTERN ON INSIDE TOP PANEL	11/96	DB
	D	CHANGED NAME IN TITLE BLOCK TO HOFFER	8/98	SJL
	E	REMOVED STAR ON INSIDE OF CAP; 1.374 WAS 1.370	1/99	SJL
	E1	REDRAWN IN CAD	3/08	WEI
	F	REVISED BOTTLE FINISH CALLOUT	6/25/10	WEI
	G	ADDED NON-VENTED CLOSURE NOTE.	3/16/12	WEI



SECTION A-A
SCALE 3 : 1



DETAIL C



UNLESS OTHERWISE SPECIFIED:

DIMENSIONS ARE IN INCHES
TOLERANCES:
FRACTIONAL ±
ANGULAR: ± 1°
TWO PLACE DECIMAL ± .010
THREE PLACE DECIMAL ± .005

INTERPRET GEOMETRIC TOLERANCING PER:

MATERIAL
POLYPROPYLENE

FINISH

DO NOT SCALE DRAWING

	NAME	DATE
DRAWN	WEI	3/19/08
DESIGN APPROVED		
COMMENTS:		

Hoffer Plastics Corp.
500 N. Collins St.
So. Elgin, Il. 60177



TITLE:
**33 mm UNI-LOK
"LT" LNRLS CLOSURE**

SIZE A	DWG. NO. CA 216551	REV G
------------------	------------------------------	-----------------

SCALE: 2:1 Shrink: SHEET 1 OF 1

PLASTIC FINISH: 1824 (F)

PROPRIETARY AND CONFIDENTIAL

THE INFORMATION CONTAINED IN THIS DRAWING IS THE SOLE PROPERTY OF HOFFER PLASTICS CORP. ANY REPRODUCTION IN PART OR AS A WHOLE WITHOUT THE WRITTEN PERMISSION OF HOFFER PLASTICS CORP. IS PROHIBITED.